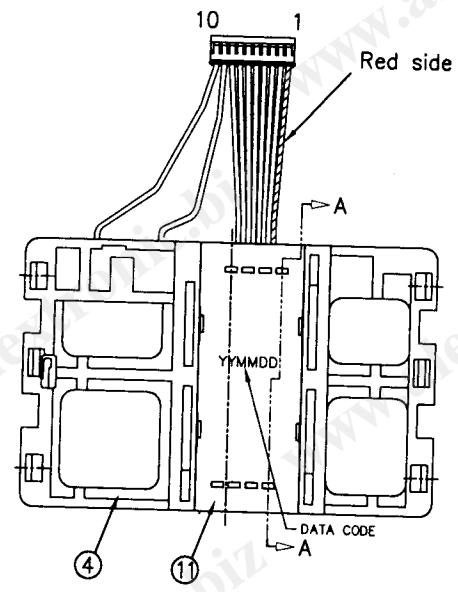
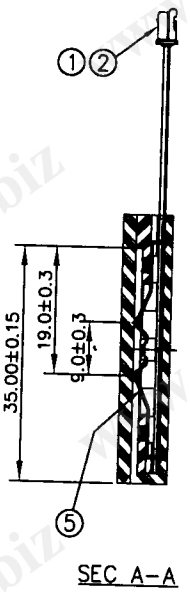
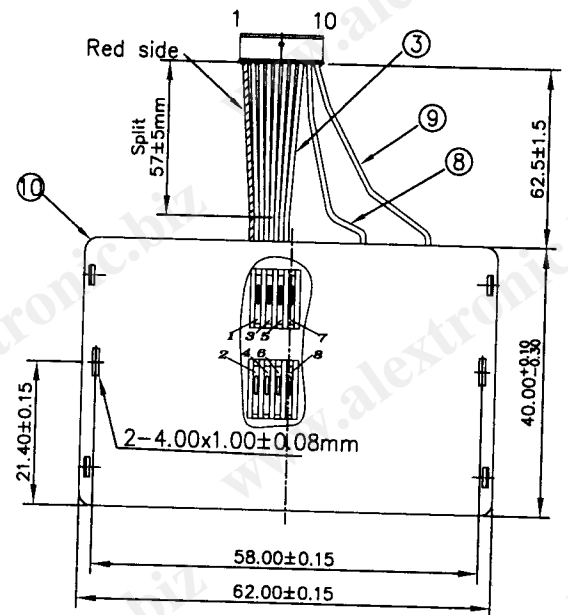


Category	Description	Part No.
Connector	SMART-CARD SOCKET TO HOUSING 10P	2SCRC1-208X-X0

Rev.	Changed by	Date	ECN No.
A1		2008-11-08	



Wire Loop Diagram

HOUSING 10P	SMART-CARD SOCKET
1	RED
2	GRAY
3	GRAY
4	GRAY
5	GRAY
6	GRAY
7	GRAY
8	GRAY
9	BROWN
10	BLACK

2SCRC1-208x-x0

Plating Options:
 0: Gold Flash
 3: 3u" Gold Plating
 6: 6u" Gold Plating
 7: 10u" Gold Plating
 8: 15 Gold plating
 9: 30u" Gold Plating

Color Options:
 0: Black
 9: White

- RATING**
- VOLTAGE DC 5.5V MAX.
 - CURRENT 100mA MAX.(DATA CONTACT)
10mA MAX.(SWITCH CONTACT)
 - OPERATING TEMPERATURE RANGE -10° TO 70°
 - STORAGE TEMPERATURE -20° TO 80°
 - 5.0 KV ESD (NO CONTACT DEGRADATION) TEST WITHOUT DAMAGE.

NO.	NAME	DESCRIPTION	Q'TY	UNIT
11	TOP COVER	FR-PBT Black UL 94V-0	1	PCS
10	BOTTOM COVER	L62/W40/H6.5mm FR-PBT Black UL 94V-0	1	PCS
9	WIRE	UL1571 28AWG Black	80	mm
8	WIRE	UL1571 28AWG Brown	80	mm
7	TERMINAL	Switch Contact Top Phosphor Bronze Gold-Plated	1	PCS
6	TERMINAL	Bottom Switch Contact Phosphor Bronze Gold-Plated	1	PCS
5	TERMINAL	DATA Contact Phosphor Bronze Gold-Plated	8	PCS
4	BODY	L62/W40/H6.5mm FR-PBT Black UL 94V-0	1	PCS
3	CABLE	UL2651 28AWGX8C P=1.27mm Gray	104	mm
2	TERMINAL	Phosphor Bronze Tin-Plated	10	PCS
1	HOUSING	1X10P PITCH1.5mm Nylon 66 White	1	PCS

.XX ±0.1	.XX° ±0.30°
.X ±0.20	.X° ±0.5°
X. ±0.8	X° ±1°
XX. ±3	XX° ±3°
XXX. ±15	XXX° ±5°
General Tolerance	Angle Tolerance

Product Drawing

ALEXTRONIC

Projection:

DWG. No.:

Unit: mm Scale: Free Page: 1/1

Authd by: Ryan Appd by: Johnny Ckd by: D.M.J Prep. by: S.Z.A

Johnny *李浩* *戴锦锦*